

RIS V EKO



NEW!

AHU with heat recovery

Rekuperatoriniai įrenginiai

Centrale wentylacyjne z odzyskiem ciepła

Вентиляционные агрегаты с рекуперацией тепла



AHU with cross-counterflow plate heat exchanger. Air handling units RIS V EKO 3.0 have high efficiency counterflow heat exchanger. AHU is used for ventilation of houses and other heated areas.

- Energy saving and low noise EC fans.
- Efficiency of heat exchanger up to 94%.
- Integrated electrical heater (optional for RIS 200V, 400V EKO 3.0).
- Optional water heater.
- Controlled air flow.
- Motorized by-pass damper
- Anti-freeze protection of the heat exchanger.
- Low noise level.
- Acoustic insulation of the walls – RIS 200-700V EKO 3.0 - 30mm and RIS 1200-1900V EKO 3.0 - 50 mm.
- RIS 200V - 1900V EKO 3.0 all versions can be controlled with Flex, Stouch remote control devices.
- Easy mounting.
- RIS 400V - 1900V EKO 3.0 full integrated plug & play control system.
- Integrated pressure switch for filter pollution (RIS V 1200-1900 EKO 3.0).
- Electrical heater control 0 - 10V.
- Optional CO₂ pressure or airflow transmitter.



Vėdinimo įrenginiai RIS V EKO 3.0 pagaminti su efektyviu prieš-priešinių srautų plokšteline šilumokaičiu. Rekuperatoriai montuojami vėdinti šildomas patalpas.

- Energiją taupantys ir tyliai dirbantys EC ventiliatoriai.
- Efektyvus priešpriešinių srautų plokštelinis šilumokaitis, kurio gražinama šiluma iki 94%.
- Integruotas elektrinis šildytuvas (RIS 200V, 400V EKO 3.0).
- Papildomai komplektuojamas kanalinis vandeninis šildytuvas.
- Keičiamas oro srautas.
- Tiekiamos oro temperatūros valdymas.
- Motorizuota apėjimo sklendė.
- Priešušaliminė šilumokaičio apsauga.
- Žemas triukšmo lygis.
- Sienelių triukšmo izoliacija – RIS 200-700V 3.0 - 30mm ir RIS 1200-1900V 3.0-50 mm.
- RIS 200V - 1900V EKO 3.0 galima valdyti su Flex, Stouch pulteliais.
- Greitas ir lengvas motavimas.
- „Plug & play“ paruošimas ir pilnai integruota valdymo automatika.
- Integruotas filtrų užterštumo matuoklis (RIS V 1200-1900 EKO 3.0).
- Elektrinio šildytuvo valdymas 0-10V.
- Papildomai komplektuojamas CO₂ slėgio ar drėgmės keitiklis.



Urządzenia wentylacyjne RIS V EKO 3.0 wyposażone w wydajny płytowy wymiennik ciepła strumieni przeciwbieżnych. Rekuperatory przeznaczone są do wentylacji ogrzewanych pomieszczeń.









- Energooszczędne i cicho pracujące wentylatory EC.
- Wydajny płytowy wymiennik ciepła strumieni przeciwbieżnych, zwracający do 94% ciepła.
- Zintegrowany grzejnik elektryczny.
- Opcjonalny kanałowy grzejnik wody (zamawiany dodatkowo RIS 200V, 400V 3.0).
- Zmienny strumień powietrza.
- Sterowanie temperatury dostarczanego powietrza.
- Zasuwa obejściowa z silnikiem.
- Ochrona przeciwzamarzaniowa wymiennika ciepła.
- Niski poziom hałasu.
- Izolacja przeciwhałasowa ścianek – RIS 200-700V 3.0 - 30mm and RIS 1200-1900V 3.0 - 50 mm.
- RIS 200V - 1900V EKO 3.0 można sterować za pomocą pilotów Flex, Stouch.
- Szybki i łatwy montaż.
- Przygotowanie „Plug & play“ i całkowicie zintegrowana automatyka sterowania.
- Zintegrowany miernik zanieczyszczenia filtrów (RIS V 700-1900 EKO 3.0).
- Sterowanie grzejnikiem elektrycznym 0-10V.
- Opcjonalny przetwornik CO₂, ciśnienia lub wilgotności.



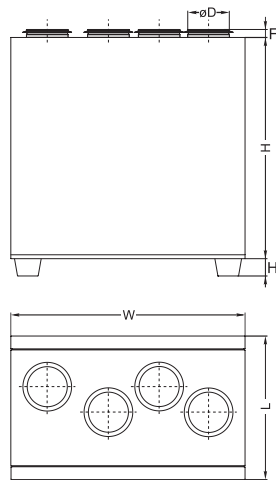
Установки с рекуперацией тепла RIS V EKO 3.0 очищают, нагревают и подают свежий воздух. Установки RIS V EKO 3.0 извлекают тепло у выходящего воздуха и передают его поступающему воздуху.

- Экономные и бесшумные вентиляторы EC.
- Пластинчатый теплообменник, эффективность теплоотдачи до 94%.
- Встроенные электрический или водяной нагреватели (опция для RIS 200V, 400V 3.0).
- Опция водяной нагреватель.
- Регулируемый воздушный поток.
- Регулируемая температура приточного воздуха.
- Защита теплообменника от замерзания.
- Низкий уровень шума.
- Акустическая изоляция стенок - RIS 200-700V 3.0 - 30мм, RIS 1200-1900V 3.0 - 50мм.
- RIS 200 V – 1900 V EKO 3.0 с интегрированными возможностями управления с помощью пультов Flex, Stouch.
- Легко монтируются.
- RIS 400 V – 1900 V EKO 3.0 - интегрированная полная система управления агрегата „plug & play“.
- Установлен датчик давления для фильтра загрязнения (RIS 700 V – 1900 V EKO 3.0).
- Контроль электрического нагревателя 0 - 10 V.
- Опциональная контроль: уровень CO₂ в помещении и охлаждения приточного воздуха.
- Опциональная контроль: CO₂ давление в системе и трансмитер приточного воздуха.

Accessories

Control panel	Sensor controller	Pressure transmitter	CO2 sensors	Duct humidity sensor	Circular duct silencer	Heating coil	Circular duct water cooler
							
Flex p. 178	Stouch p. 179	S-1141 p. 181	S-RC02-F2 p. 182	S-KFF-U p. 183	AKS p. 230	AVS p. 192	AVA p. 202

RIS 200V - 1900V EKO 3.0



RIS 200 V E L EKO 3.0

→	Equipped with new PRV V2.2 control board
→	AHU with EC motors and efficient cross - counter flow heat exchanger
→	Air intake side (L - left; R - right)
→	Heater type (E - integrated electrical heater; W - optional water heater)
→	Housing type (V - vertical, H - horizontal, P - under - ceiling)
→	AHU size according to air flow range m ³ /h
→	AHU with plate heat-exchanger

Type	Dimensions [mm]					
	L	W	H	øD	H ₁	F
RIS 200VE/VW EKO 3.0	410	595	716	125	-	30
RIS 400VE/VW EKO 3.0	596	640	800	160	50	30
RIS 700VE/VW EKO 3.0	670	1000	980	250	126	40
RIS 1200VE/VW EKO 3.0	760	1350	1200	315	126	40
RIS 1900VE/VW EKO 3.0	800	2000	1600	400	140	70

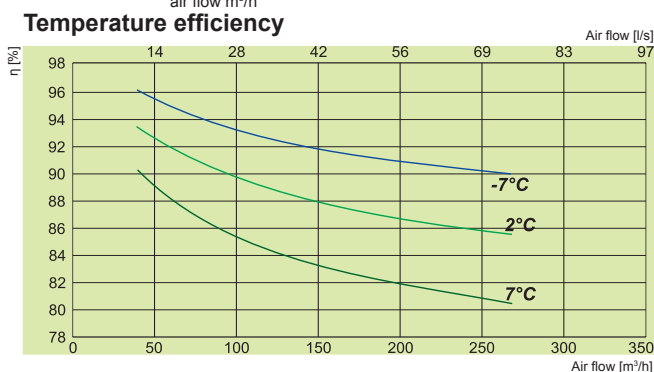
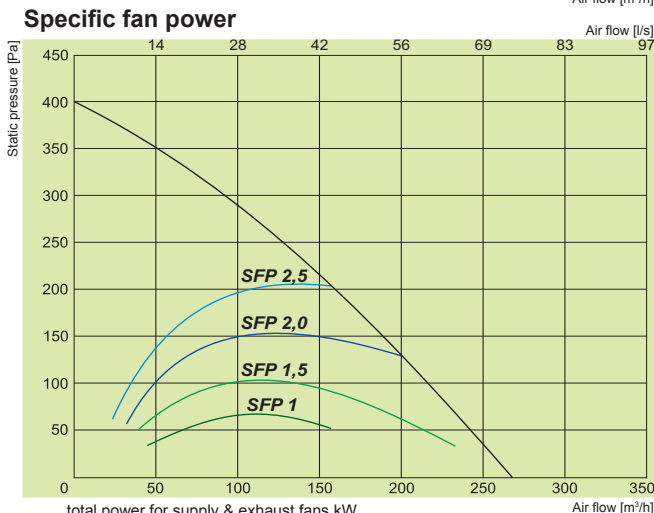
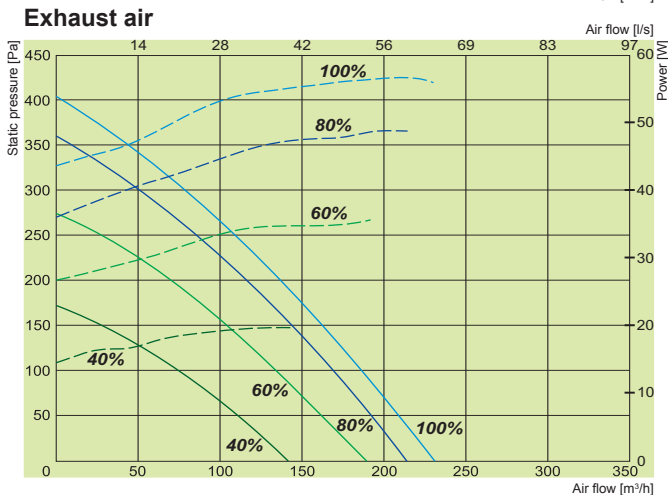
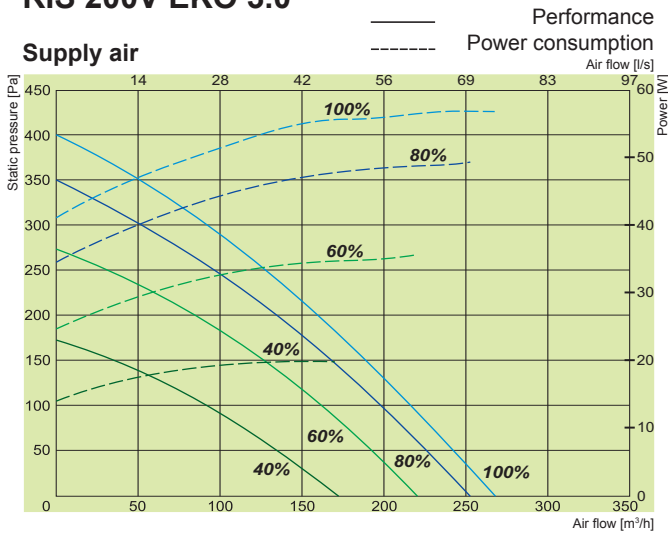
Type	Accessories														
	Flex Stouch	S-1141 S-RC02-F2 S-KFF-U	AKS	AVS	AVA	EKA	EKA NV PH	AP SKG	SP	SSB Heating	SSB Cooling	RMG 80/60°C	RMG 60/40°C	VVP/VXP 80/60°C	VVP/VXP 60/40°C
RIS 200VE EKO 3.0	+	+	125	-	125	125	125	125	LM230A-TP	-	-	-	-	-	-
RIS 200VW EKO 3.0	+	+	125	125	125	-	125	125	TF230	61	81	3-0,63-4	3-0,63-4	45.10-0,63	45.10-0,63
RIS 400VE EKO 3.0	+	+	160	-	160	160	160	160	LM230A-TP	-	-	-	-	-	-
RIS 400VW EKO 3.0	+	+	160	160	160	-	160	160	TF230	61	81	3-0,63-4	3-0,63-4	45.10-0,63	45.10-0,63
RIS 700VE EKO 3.0	+	+	250	-	250	-	250	250	LM230A-TP	-	-	-	-	-	-
RIS 700VW EKO 3.0	+	+	250	250	250	-	250	250	TF230	61	81	3-1,0-4	3-0,63-4	45.10-1,0	45.10-0,63
RIS 1200VE EKO 3.0	+	+	315	-	315	-	315	315	LM230A-TP	-	-	-	-	-	-
RIS 1200VW EKO 3.0	+	+	315	315	315	-	315	315	LF230	61	81	3-0,63-4	3-0,63-4	45.10-0,63	45.10-0,63
RIS 1900VE EKO 3.0	+	+	400	-	400	-	400	400	SM230A-TP	-	-	Heaters, coolers and RMG/VVP/VXP data online selection program: www.salda.it			
RIS 1900VW EKO 3.0	+	+	400	400	400	-	400	400	SF230A	61	81				

Accessories

 Mounting clamp AP p. 229	 Shut-off damper SKG p. 226	 Electrical duct heater EKA p. 1206	 Actuator for dampers SP p. 188	 Thermic water valve actuator SSB p. 184	 Mixing point RMG p. 185	 2 and 3 way valves VVP/VXP p. 186
--	--	--	--	---	--	---

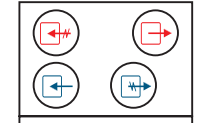
RIS V EKO

RIS 200V EKO 3.0



RIS 200VL EKO 3.0

Air intake side (L - left)



View from inspection side

→ Exhaust air
 ←* Extract air
 ← Fresh air
 → Supply air

Article No.	Version	Description
GAGRIS1799_0034A	200VEL EKO 3.0	Left-hand maintenance version prepared for optional electrical heater.
GAGRIS1799_0035A	200VWL EKO 3.0	Left-hand maintenance version prepared for optional water heater.

200V EKO 3.0

Water heater (optional)	200VW EKO 3.0	AVS 125
Electrical heater (optional)	200VE EKO 3.0	EKA NIS 125-0,9-1f
EC fans	phase/voltage [50Hz/VAC]	~1, 230
exhaust	power/current [kW/A]	0,057/0,470
	fan speed [min ⁻¹]	4480
supply	power/current [kW/A]	0,057/0,470
	fan speed [min ⁻¹]	4480
Thermal efficiency up to*		90%
Motorized by-pass		+
Max power consumption	[kW/A]	0,12/0,95
Control board		PRV V2.2
Filter class	exhaust/supply	G4/M5
Housing insulation, mineral wool	[mm]	30
Colour	RAL	white 9016
Weight (net, without packing)	[kg]	44,7
Comply with ERP		2013; 2015
Operation		indoors
Fresh air temperature limits**	°C	-5 - +40
Housing protection class	IP	34

* Calculated according EN 13141-7.

**For temperatures lower than recommended use electrical pre-heater to ensure balanced operation.

200V EKO 3.0	Lwa total, dB(A)	LWA, dB(A)						
		125 Hz	250 Hz	500 Hz	1 kHz	2 kHz	4 kHz	8 kHz
Supply	68	59	61	63	62	60	53	43
Extract	59	50	52	56	50	44	38	29
Surrounding	50	41	42	44	42	40	34	30

Measured at 218 m³/h, 100 Pa

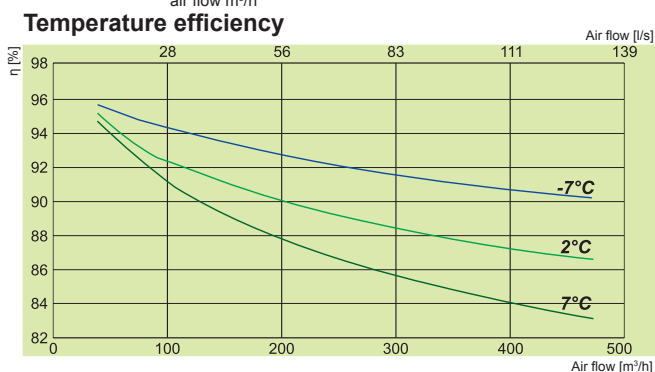
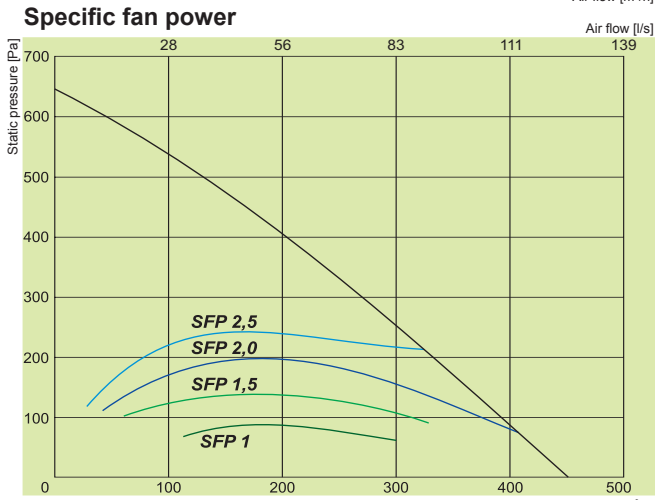
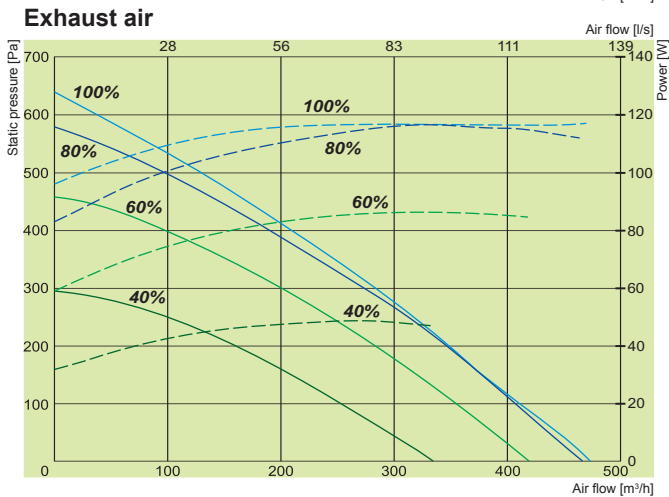
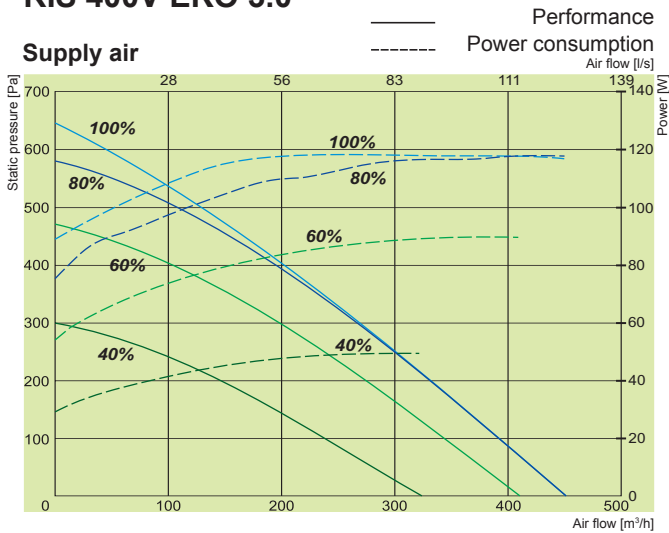
Temperature efficiency (balanced mass flow) EN 13141-7:
Extract air = 20°C/60%RH
Outdoor air = -7°C / 2°C / 7°C

Certifications

EUROVENT certified counter flow heat exchanger performance

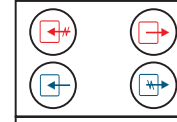


RIS 400V EKO 3.0



RIS 400VL EKO 3.0

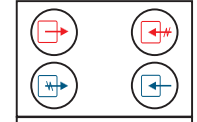
Air intake side (L - left)



View from inspection side

RIS 400VR EKO 3.0

Air intake side (R - right)



View from inspection side

	Exhaust air		Extract air		Fresh air		Supply air
--	-------------	--	-------------	--	-----------	--	------------

Article No.	Version	Description
GAGRIS1796_0011A	400VEL EKO 3.0	Left-hand maintenance version prepared for optional electrical heater.
GAGRIS1798_0013A	400VWL EKO 3.0	Left-hand maintenance version prepared for optional water heater.
GAGRIS1795_0010A	400VER EKO 3.0	Right-hand maintenance version prepared for optional electrical heater.
GAGRIS1797_0012A	400VVR EKO 3.0	Right-hand maintenance version prepared for optional water heater.

400V EKO 3.0

Water heater (optional)	400VW EKO 3.0	AVS 160
Electrical heater (optional)	400VE EKO 3.0	EKA NIS 160-0,9-1f
EC fans	phase/voltage [50Hz/VAC]	~1, 230
exhaust	power/current [kW/A]	0,118/0,98
	fan speed [min ⁻¹]	4500
supply	power/current [kW/A]	0,118/0,98
	fan speed [min ⁻¹]	4500
Thermal efficiency up to*		90%
Motorized by-pass		+
Max power consumption VE / VW	[kW/A]	0,24 / 1,97 0,24 / 1,99
Control board		PRV V2.2
Filter class	exhaust/supply	G4/F5
Housing insulation, mineral wool	[mm]	30
Colour	RAL	white 9016
Weight (net, without packing)	[kg]	71
Comply with ERP		2013; 2015
Operation	indoors	indoors
Fresh air temperature limits**	°C	-5 - +40
Housing protection class	IP	34

* Calculated according EN 13141-7.

**For temperatures lower than recommended use electrical pre-heater to ensure balanced operation.

400V EKO 3.0	Lwa total, dB(A)	LWA, dB(A)						
		125 Hz	250 Hz	500 Hz	1 kHz	2 kHz	4 kHz	8 kHz
Supply	69	58	60	63	65	61	57	47
Extract	59	55	53	54	49	47	38	30
Surrounding	52	44	45	47	43	42	36	29

Measured at 410 m³/h, 100 Pa

Temperature efficiency (balanced mass flow) EN 13141-7:
Extract air = 20°C/60%RH
Outdoor air = -7°C / 2°C / 7°C

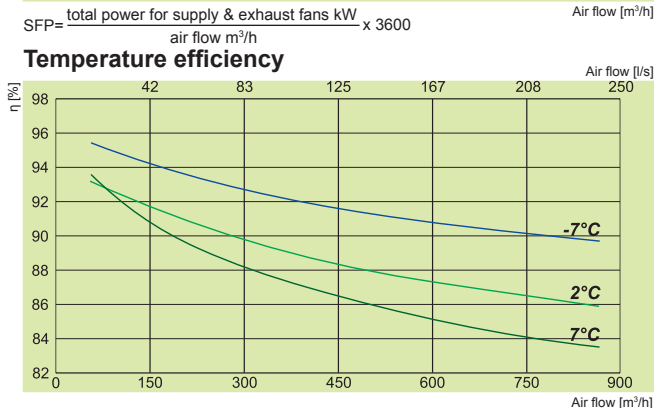
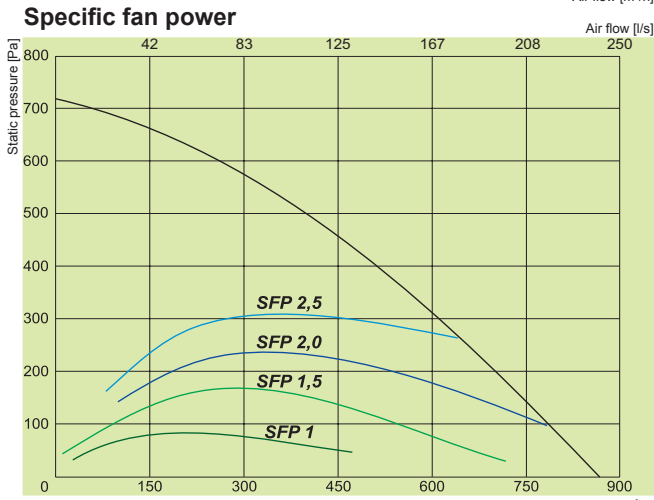
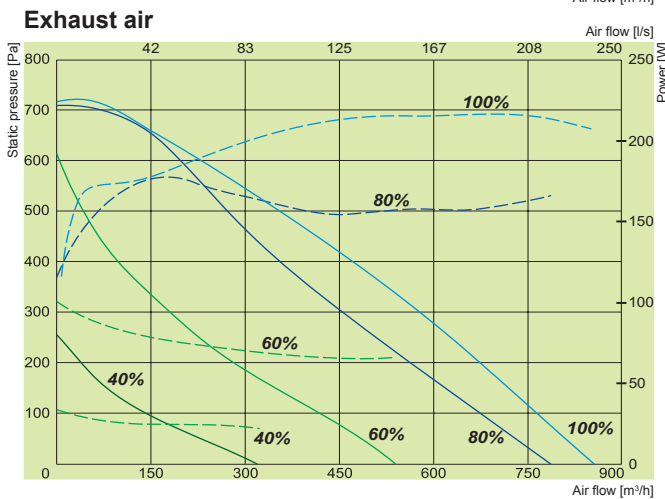
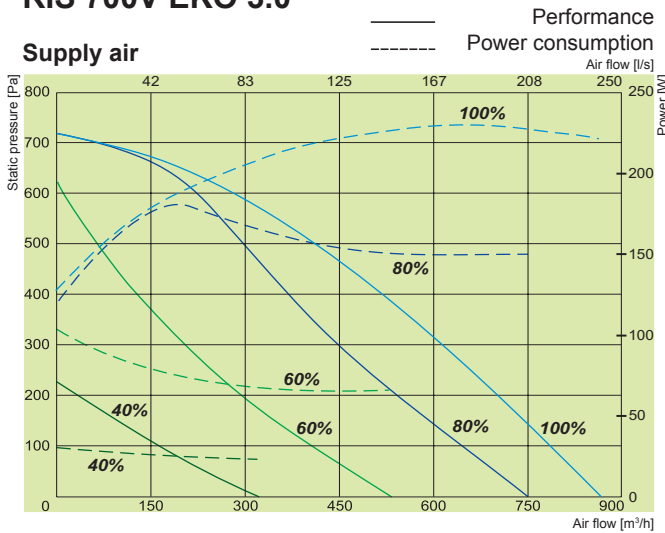
Certifications

EUROVENT certified counter flow heat exchanger performance



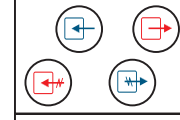
RIS V EKO

RIS 700V EKO 3.0



RIS 700VL EKO 3.0

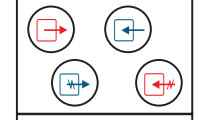
Air intake side (L - left)



View from inspection side

RIS 700VR EKO 3.0

Air intake side (R - right)



View from inspection side

↔ Exhaust air
 ↔ Extract air
 ↔ Fresh air
 ↔ Supply air

Article No.	Version
GAGRIS1778_0039A	700VEL EKO 3.0 Left-hand maintenance version with integrated electrical heater.
GAGRIS1780_0041A	700VWL EKO 3.0 Left-hand maintenance version prepared for optional water heater.
GAGRIS1777_0038A	700VER EKO 3.0 Right-hand maintenance version with integrated electrical heater.
GAGRIS1779_0040A	700VVR EKO 3.0 Right-hand maintenance version prepared for optional water heater.

700VE / VW EKO 3.0

Water heater (optional) VW ver.	AVS 250
Electrical heater VE ver.	phase/voltage [50Hz/VAC] ~1, 230
	[kW] 1,2
EC fans	phase/voltage [50Hz/VAC] ~1, 230
exhaust	power/current [kW/A] 0,218 / 1,64
	fan speed [min ⁻¹] 2930
supply	power/current [kW/A] 0,23 / 1,66
	fan speed [min ⁻¹] 2930
Thermal efficiency up to*	90%
Motorized by-pass	+
Max power consumption VE / VW	[kW/A] 1,65 / 8,51 0,45 / 3,30
Control board	PRV V2.2
Filter class	exhaust/supply M5/M5
Housing insulation, mineral wool	[mm] 30
Colour	RAL white 9016
Weight (net, without packing)	[kg] 110
Comply with ERP	2013; 2015
Operation	indoors
Fresh air temperature limits**	°C -5 - +40
Housing protection class	IP 34

* Calculated according EN 13141-7.

**For temperatures lower than recommended use electrical pre-heater to ensure balanced operation.

700V EKO 3.0	Lwa total, dB(A)	LWA, dB(A)						
		125 Hz	250 Hz	500 Hz	1 kHz	2 kHz	4 kHz	8 kHz
Supply	74	68	65	67	66	65	58	56
Extract	60	45	57	53	52	47	42	38
Surrounding	56	51	50	49	45	44	41	37

Measured at 768 m³/h, 125 Pa

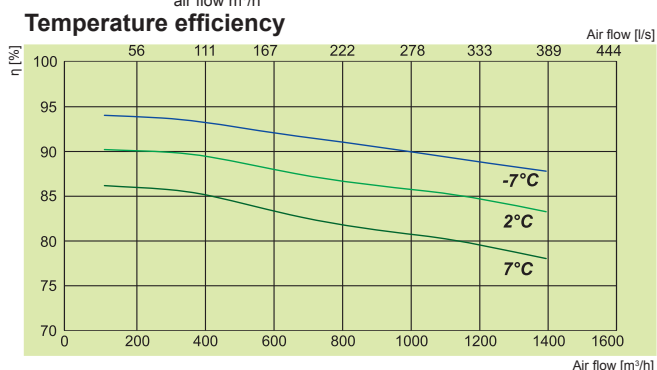
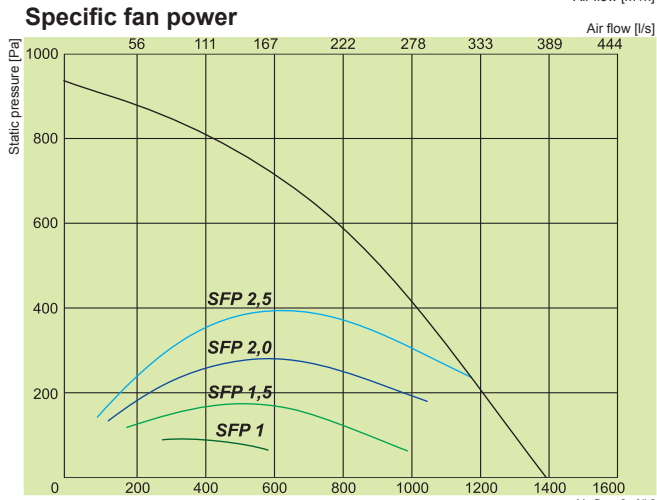
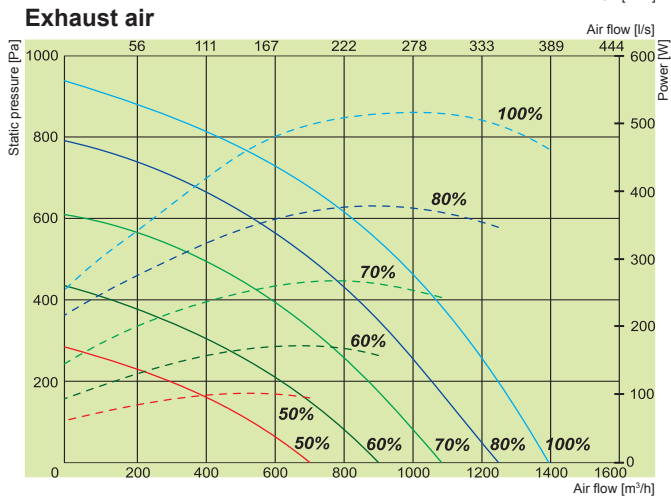
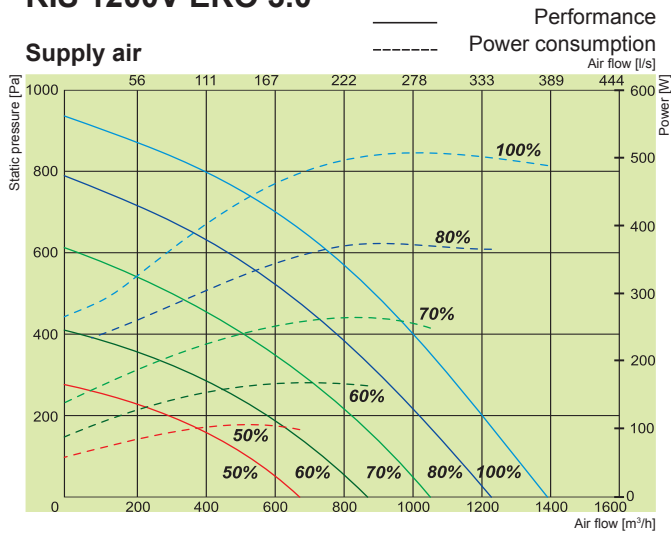
Temperature efficiency (balanced mass flow) EN 13141-7:
 Extract air = 20°C/60%RH
 Outdoor air = -7°C / 2°C / 7°C

Certifications

EUROVENT certified counter flow heat exchanger performance

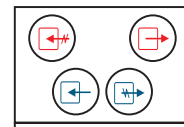


RIS 1200V EKO 3.0



RIS 1200VL EKO 3.0

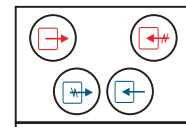
Air intake side (L - left)



View from inspection side

RIS 1200VR EKO 3.0

Air intake side (R - right)



View from inspection side

↔ Exhaust air
 ↔* Extract air
 ← Fresh air
 → Supply air

Article No.	Version
GAGRIS1776_0043A	1200VEL EKO 3.0 Left-hand maintenance version with integrated electrical heater.
GAGRIS1784_0045A	1200VWL EKO 3.0 Left-hand maintenance version prepared for optional water heater.
GAGRIS1775_0042A	1200VER EKO 3.0 Right-hand maintenance version with integrated electrical heater.
GAGRIS1783_0044A	1200VWR EKO 3.0 Right-hand maintenance version prepared for optional water heater.

1200VE / VW EKO 3.0

Water heater (optional) VW ver.	AVS/AVA 315
Electrical heater VE ver.	phase/voltage [50Hz/VAC] ~1, 230
	[kW] 2,0
EC fans	phase/voltage [50Hz/VAC] ~1, 230
exhaust	power/current [kW/A] 0,435/2,9
	fan speed [min ⁻¹] 3400
supply	power/current [kW/A] 0,430/2,95
	fan speed [min ⁻¹] 3400
Thermal efficiency up to*	90%
Motorized by-pass	+
Max power consumption VE / VW	[kW/A] 2,87/14,6 0,87/6,0
Control board	PRV V2.2
Filter class	exhaust/supply M5/F7
Housing insulation, mineral wool	[mm] 50
Colour	RAL grey 7040
Weight (net, without packing)	[kg] 152
Comply with ERP	2013; 2015
Operation	indoors
Fresh air temperature limits**	°C -5 - +40
Housing protection class	IP 34

* Calculated according EN 13141-7.

**For temperatures lower than recommended use electrical pre-heater to ensure balanced operation.

1200V EKO 3.0	Lwa total, dB(A)	LWA, dB(A)						
		125 Hz	250 Hz	500 Hz	1 kHz	2 kHz	4 kHz	8 kHz
Supply	79	66	75	73	72	70	67	58
Extract	68	62	63	64	58	53	48	43
Surrounding	58	51	52	53	50	49	45	40

Measured at 1300 m³/h, 120 Pa

Temperature efficiency (balanced mass flow) EN 13141-7:
 Extract air = 20°C/60%RH
 Outdoor air = -7°C / 2°C / 7°C

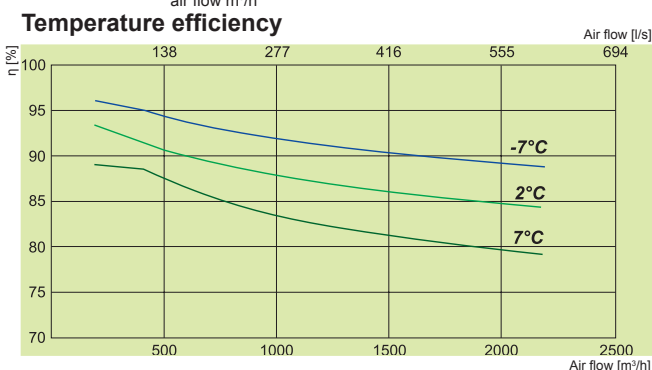
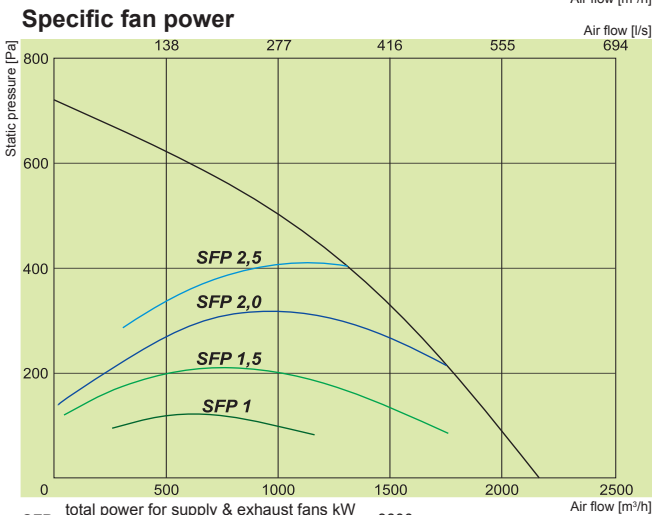
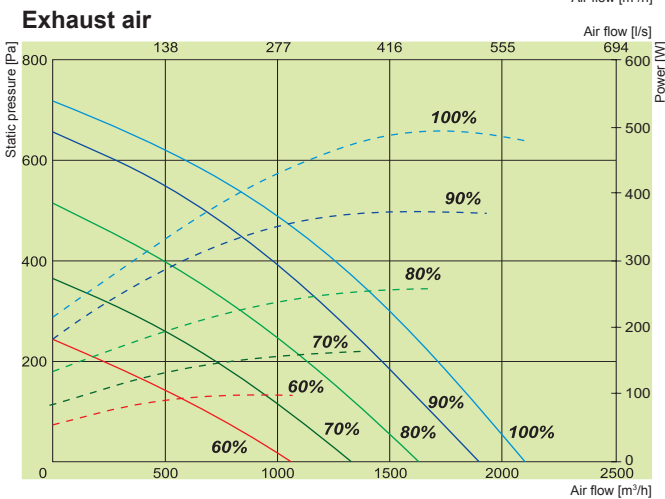
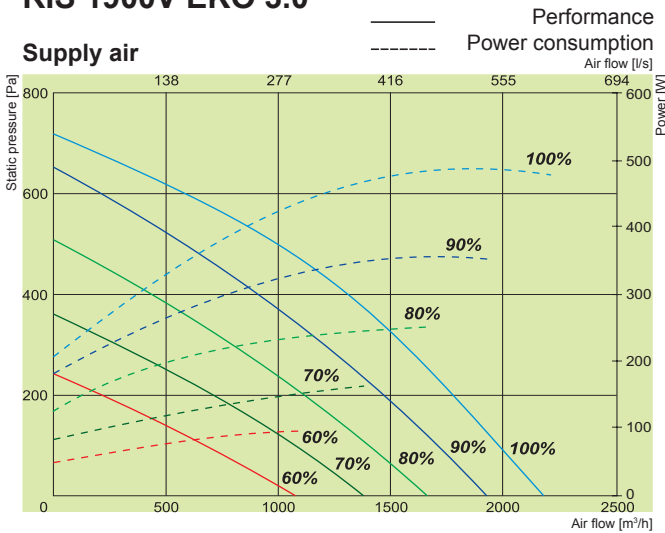
Certifications

EUROVENT certified counter flow heat exchanger performance



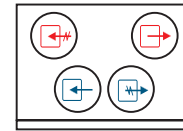
RIS V EKO

RIS 1900V EKO 3.0



RIS 1900VL EKO 3.0

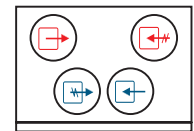
Air intake side (L - left)



View from inspection side

RIS 1900VR EKO 3.0

Air intake side (R - right)



View from inspection side

➡ Exhaust air
 ➡ Extract air
 ➡ Fresh air
 ➡ Supply air

Article No.	Version
GAGRIS1786_0049A	1900VEL EKO 3.0 Left-hand maintenance version with integrated electrical heater.
GAGRIS1788_0051A	1900VWL EKO 3.0 Left-hand maintenance version prepared for optional water heater.
GAGRIS1785_0048A	1900VER EKO 3.0 Right-hand maintenance version with integrated electrical heater.
GAGRIS1787_0050A	1900VVR EKO 3.0 Right-hand maintenance version prepared for optional water heater.

1900VE / VW EKO 3.0

Water heater (optional) VW ver. AVS / AVA / Comfort Box 250

Electrical heater VE ver. phase/voltage [50Hz/VAC] ~1, 230
[kW] 3,0

EC fans phase/voltage [50Hz/VAC] ~1, 230

exhaust power/current [kW/A] 0,49/3,2
fan speed [min⁻¹] 2540

supply power/current [kW/A] 0,49/3,1
fan speed [min⁻¹] 2540

Thermal efficiency up to* 90%

Motorized by-pass +

Max power consumption VE / VW [kW/A] 3,98 / 19,31 0,98/6,31

Control board PRV V2.2

Filter class exhaust/supply M5/F7

Housing insulation, mineral wool [mm] 50

Colour RAL grey 7040

Weight (net, without packing) [kg] 290

Comply with ERP 2013; 2015

Operation indoors

Fresh air temperature limits** °C -5 - +40

Housing protection class IP 34

* Calculated according EN 13141-7.

**For temperatures lower than recommended use electrical pre-heater to ensure balanced operation.

1900V EKO 3.0	Lwa total, dB(A)	LWA, dB(A)						
		125 Hz	250 Hz	500 Hz	1 kHz	2 kHz	4 kHz	8 kHz
Supply	77	64	73	70	71	68	65	59
Extract	66	57	62	60	55	58	56	45
Surrounding	59	48	53	52	50	51	49	42

Measured at 2077 m³/h, 150 Pa

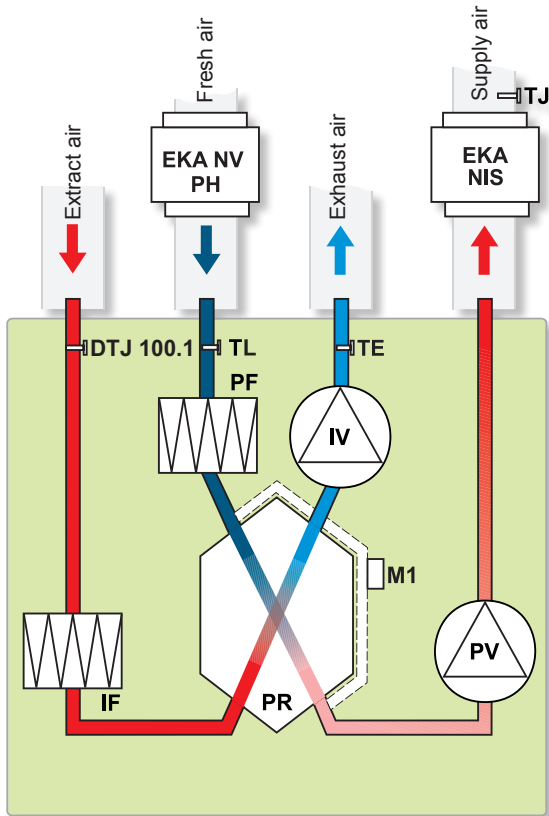
Temperature efficiency (balanced mass flow) EN 13141-7:
Extract air = 20°C/60%RH
Outdoor air = -7°C / 2°C / 7°C

Certifications

EUROVENT certified counter flow heat exchanger performance

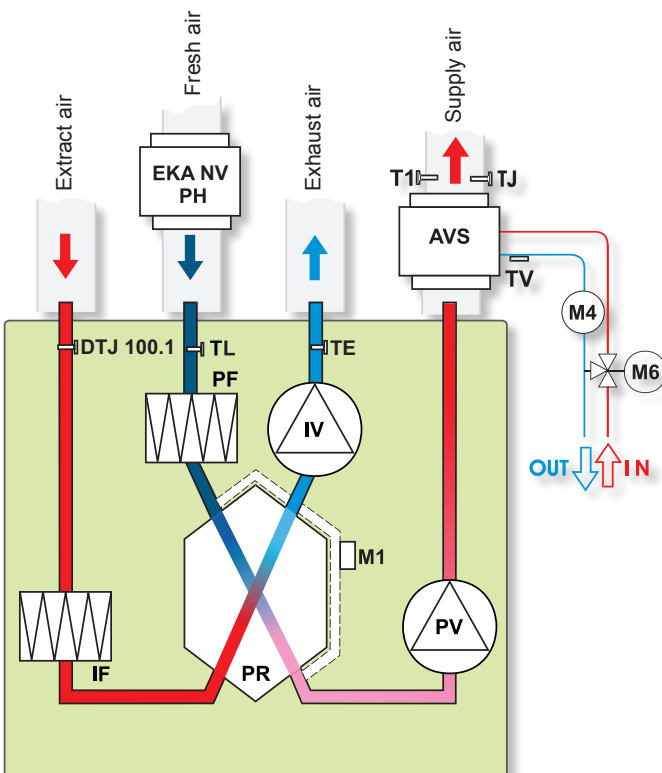


RIS 200VE EKO 3.0; 400VE EKO 3.0 (vertical) versions with electrical heater



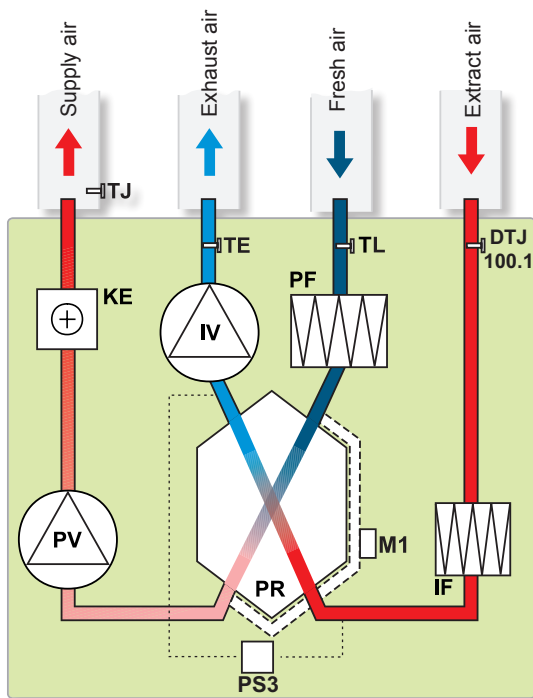
- EKA NIS** - optionally supply electrical heater
- EKA NV PH** - optionally fresh air pre-heater
- IV** - exhaust air fan
- PV** - supply air fan
- PR** - plate heat exchanger
- PF** - filter for supply air (class M5 for RIS 200VE EKO 3.0, class F7 for RIS 400VE EKO 3.0)
- IF** - filter for extract air (class G4)
- TJ** - temperature sensor for supply air
- TL** - temperature sensor for fresh air
- TL** - temperature sensor for exhaust air
- DTJ 100.1** - temperature and humidity sensor for extract air
- M1** - actuator of by-pass damper

RIS 200VW EKO 3.0; 400VW EKO 3.0 (vertical) version with water heater



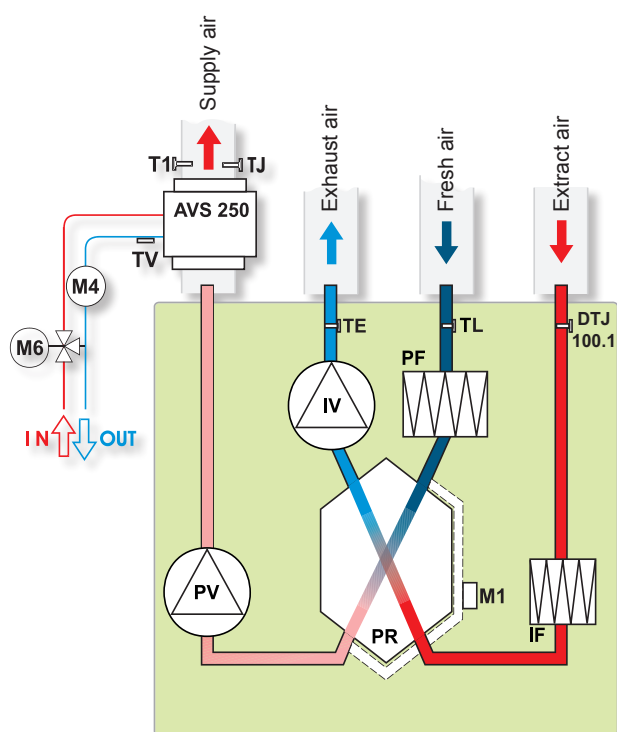
- AVS** - optionally supplied water heater
- EKA NV PH** - optionally supplied fresh air pre-heater
- IV** - exhaust air fan
- PV** - supply air fan
- PR** - plate heat exchanger
- PF** - filter for supply air (class M5 for RIS 200VE EKO 3.0, class F7 for RIS 400 VE EKO 3.0)
- IF** - filter for extract air (class G4)
- TJ** - temperature sensor for supply air
- TL** - temperature sensor for fresh air
- DTJ 100.1** - temperature and humidity sensor for extract air
- M1** - actuator of by-pass damper
- M6** - optionally supply mixing valve and motor
- TV** - antifrost sensor
- T1** - antifrost thermostat

RIS 700VE EKO 3.0; 1200VE EKO 3.0 (vertical) versions with electrical heater



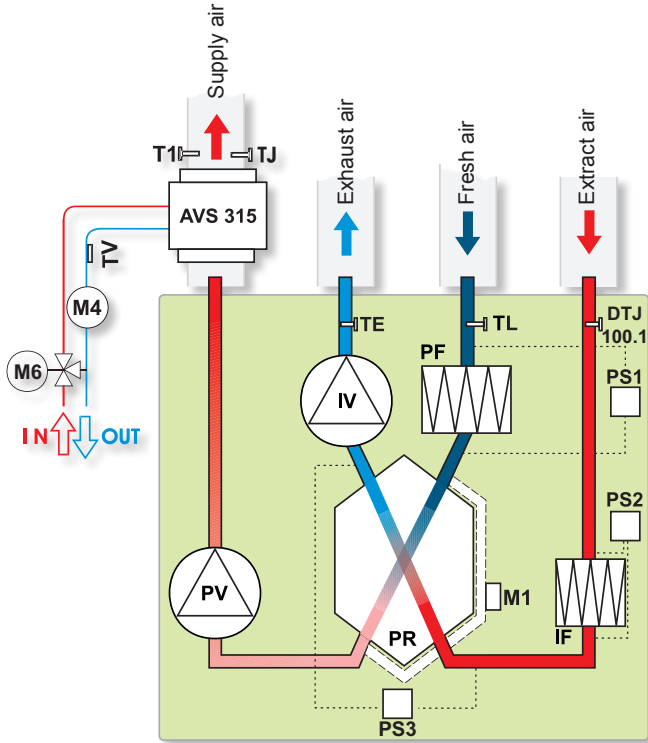
- IV** - exhaust air fan
- PV** - supply air fan
- PR** - plate heat exchanger
- KE** - electrical heater
- PF** - filter for fresh air (class F7)
- IF** - filter for extract air (class M5)
- M1** - actuator of by-pass damper
- TL** - temperature sensor for fresh air
- TJ** - temperature sensor for supply air
- TE** - temperature sensor for exhaust air
- DTJ 100.1** - humidity + temperature sensor
- PS3** - heat exchanger antifrost pressure switch (RIS 1200VE EKO 3.0)

RIS 700VW EKO 3.0 (vertical) version with water heater



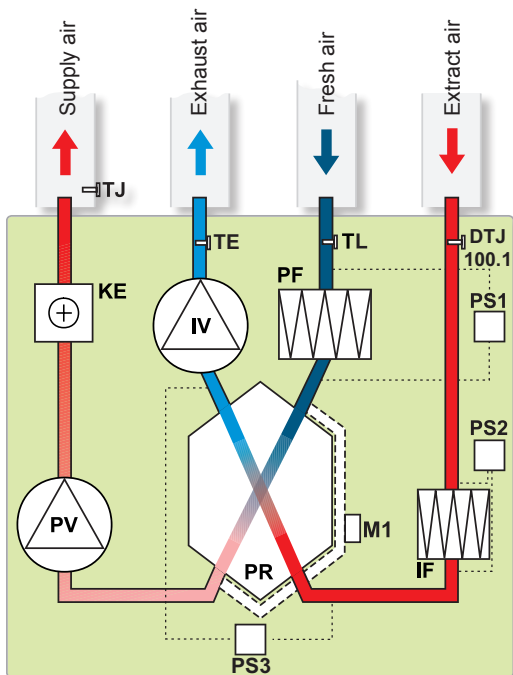
- AVS** - optionally supplied water heater
- IV** - exhaust air fan
- PV** - supply air fan
- PR** - plate heat exchanger
- PF** - filter for fresh air (class F7)
- IF** - filter for extract air (class M5)
- M1** - actuator of by-pass damper
- M6** - optionally supplied mixing valve and motor
- M4** - water heater circulatory pump
- TJ** - temperature sensor for supply air
- TE** - temperature sensor for exhaust air
- TL** - temperature sensor for fresh air
- DTJ 100.1** - humidity + temperature sensor
- TV** - antifrost sensor
- T1** - antifrost thermostat

RIS 1200VW EKO 3.0 (vertical) version with water heater



- AVS** - optionally supplied water heater
- IV** - exhaust air fan
- PV** - supply air fan
- PR** - plate heat exchanger
- PF** - filter for supply air (class F7)
- IF** - filter for extract air (class M5)
- M1** - actuator of by-pass damper
- M4** - optionally supplied water heater circulatory pump
- M6** - optionally supplied mixing valve and motor
- TJ** - temperature sensor for supply air
- TE** - temperature sensor for exhaust air
- TL** - temperature sensor for fresh air
- TV** - antifrost sensor
- T1** - antifrost thermostat
- DTJ100.1** - humidity + temperature sensor
- PS1** - supply air differential pressure switch
- PS2** - extract air differential pressure switch
- PS3** - heat exchanger antifrost pressure switch

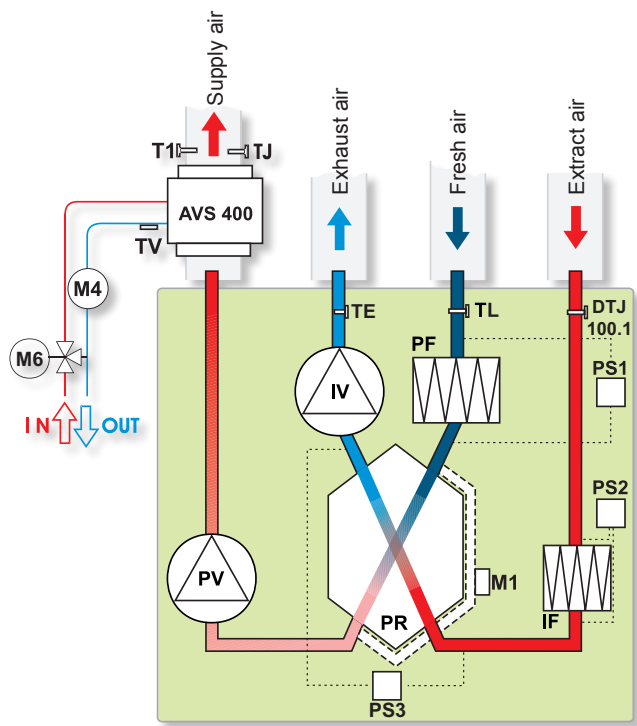
RIS 1900VE EKO 3.0 (vertical) versions with electrical heater



- IV** - exhaust air fan
- PV** - supply air fan
- PR** - plate heat exchanger
- KE** - electrical heater
- PF** - filter for fresh air (class F7)
- IF** - filter for extract air (class M5)
- M1** - actuator of by-pass damper
- TE** - temperature sensor for exhaust air
- TL** - temperature sensor for fresh air
- TJ** - temperature sensor for supply air
- DTJ100.1** - humidity + temperature sensor
- PS1** - supply air differential pressure switch
- PS2** - extract air differential pressure switch
- PS3** - heat exchanger antifrost pressure switch

RIS V EKO

RIS 1900VW EKO 3.0 (vertical) version with water heater



- AVS** - optionally supplied water heater
- IV** - exhaust air fan
- PV** - supply air fan
- PR** - plate heat exchanger
- PF** - filter for supply air (class F7)
- IF** - filter for extract air (class M5)
- TL** - temperature sensor for fresh air
- TE** - temperature sensor for exhaust air
- M1** - actuator of by-pass damper
- M6** - optionally supplied mixing valve and motor
- M4** - optionally supplied water heater circulator pump
- TJ** - temperature sensor for supply air
- TV** - antifrost sensor
- T1** - antifrost thermostat
- DTJ100.1** - humidity + temperature sensor
- PS1** - supply air differential pressure switch
- PS2** - extract air differential pressure switch
- PS3** - heat exchanger antifrost pressure switch

SALDA

AIR HANDLING UNITS